



**Features**

- Solid-state brushless motor design provides:
  - Improved performance
  - High efficiency
  - Auto restart
  - Low input power
  - Lower operating voltages
- Precision ball bearing system provides:
  - Longer life
  - Higher temperature extremes
  - Lower noise over time
  - Maximum shock and vibration resistance
- Designed to meet the rigid standards of UL, CSA, and CE.

**Accessories:**  
Finger guards

**General Specifications**

- Frame:** Die-cast aluminum painted black for moisture and corrosion resistance
- Impeller:** Reinforced polybutylene plastic (UL94V-0 rating)
- Bearings:** Precision, life-lubricated ball bearings
- Insulation:** Class A integral ground system rated @ 248°F (120°C)
- Weight:** 20.5 ozs. (580 grams)
- Operating Temperature Range:** 14° to 158°F (-10° to 70°C)
- Insulation Resistance:** 10 megohms minimum @ 500 VDC
- Dielectric Strength:** 700 VAC for 3 seconds
- Safety Protection:** Electronic locked rotor protected; polarity protected
- Life Expectancy:** 75,000 hours minimum @ 77°F (25°C)

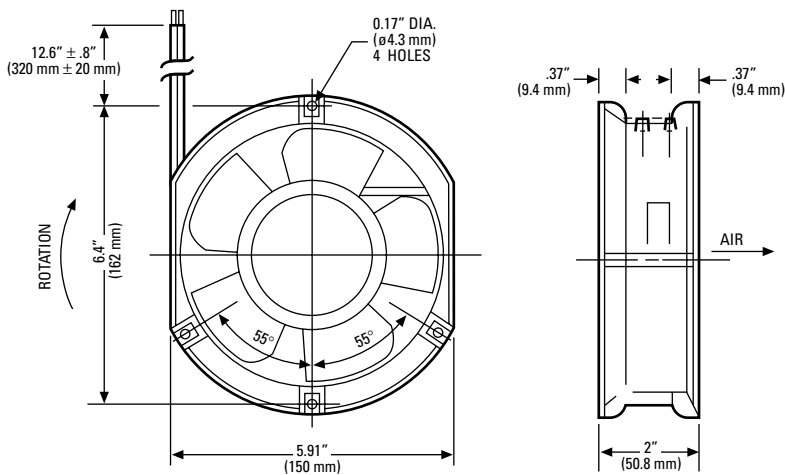
**Approvals**



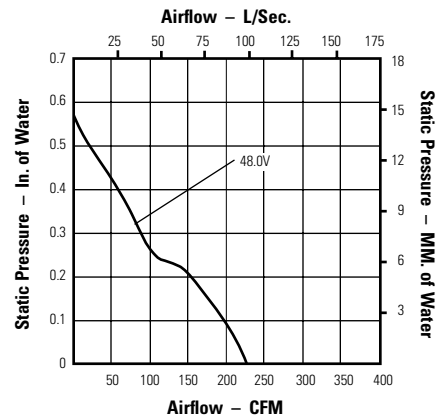
UL File No.  
E105397



CSA File No.  
72877



**Performance at Sea Level**



All operating specifications measured at nominal operating voltage, free air at sea level

12, 24, and 48 volt performance is identical

RED LEAD IS POSITIVE (+)  
BLACK LEAD IS NEGATIVE (-)

Globe Motors Part Number	Nominal Voltage VAC	Voltage Operating Range VDC	Watts	Line Amps	RPM	Acoustic Noise dBA	Airflow (Min.)	
							CFM	Liters per Second
D59-B20A-04W4-000	12	6.0 / 18.0	17.28	1.44	3350	58	240	113.3
D59-B20A-05W4-000	24	12.0 / 30.0	15.84	0.66	3350	58	240	113.3
D59-B20A-07W4-000	48	25.0 / 60.0	15.84	0.33	3350	58	240	113.3