

**DC Series  
Tubeaxial  
Cooling Fans  
Model No. D47T10**

**4.69" Sq. x 1.00"**  
(119 mm Sq. x 25 mm)  
**88-115 CFM**  
(41.5-54.2 L/Sec.)



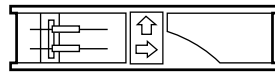
**Features**

- 7-blade impeller design provides:
  - Reduced noise
  - Improved performance
  - High efficiency
- Solid-state brushless motor design provides:
  - Auto restart
  - Low input power
  - Lower operating voltages
- Precision ball bearing system provides:
  - Longer life
  - Higher temperature extremes
  - Lower noise over time
  - Maximum shock and vibration resistance
- Designed to meet the rigid standards of UL, CSA, VDE, and CE.

**Accessories:**  
Finger guards  
Filters

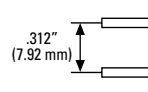
**General Specifications**

- Frame:** Reinforced polybutylene plastic (UL94V-0 flame retardant)
- Impeller:** Reinforced polybutylene plastic (UL94V-0 rating)
- Bearings:** Precision, life-lubricated ball bearings
- Insulation:** Class A integral ground system rated @ 248°F (120°C)
- Weight:** 7.7 ozs. (220 grams)
- Operating Temperature Range:** 14° to 158°F (-10° to 70°C)
- Insulation Resistance:** 10 megohms minimum @ 250 VDC
- Dielectric Strength:** 500 VAC for 60 seconds
- Safety Protection:** Electronic locked rotor protected; polarity protected
- Life Expectancy:** 75,000 hours minimum @ 77°F (25°C)
- Options:** (Consult Factory)  
Tachometer output  
Terminal versions  
Locked rotor sensor output

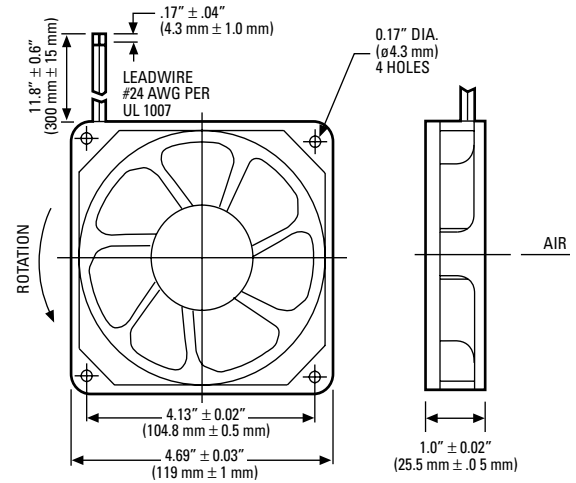


**Terminals**

2 Solder Terminals  
Centers: .312" (7.92 mm)  
Thickness: .02" (.51 mm)  
Width: .120" (3.05 mm)  
Length: .31" (7.8 mm)



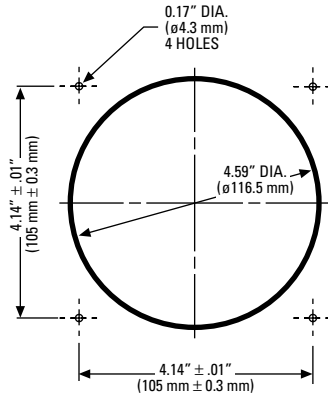
**RED LEAD IS POSITIVE (+)  
BLACK LEAD IS NEGATIVE (-)  
WHITE LEAD IS TACHOMETER/SENSOR**



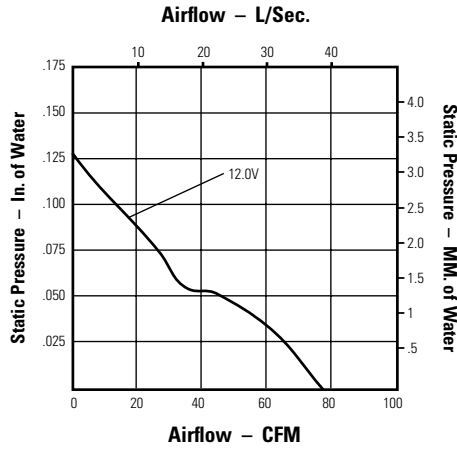
Globe Motors Part Number	Nominal Voltage VAC	Voltage Operating Range VDC	Watts	Line Amps	RPM	Acoustic Noise dBA	Airflow (Min.)	
							CFM	Liters per Second
D47-B10A-04W2-100	12	6.0 / 13.8	3.36	0.28	2200	35	88	41.5
D47-B10A-04W3-100	12	6.0 / 13.0	6.60	0.55	2800	42	115	54.2
D47-B10A-05W2-100	24	10.0 / 27.6	3.60	0.15	2200	35	88	41.5
D47-B10A-05W3-100	24	10.0 / 26.0	6.96	0.29	2800	42	115	54.2

\*Note: For tachometer output models, substitute "B" in part number. Part Number D47-B10"A"-04W2-000 would change to D47-B10"B"-04W2-000. Minimum order quantity may apply.  
For locked rotor sensor output models, substitute "C" in part number. Part Number D47-B10"A"-04W2-000 would change to D47-B10"C"-04W2-000. Minimum order quantity may apply.

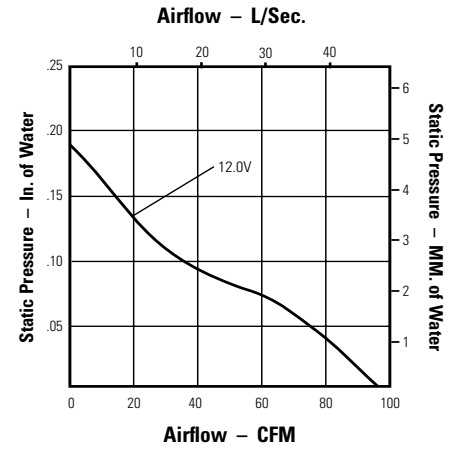
## Installation Guide



## Performance at Sea Level



**D47-B10A-04W2-100**



**D47-B10A-04W3-100**

## Approvals



UL File No.  
E105397



CSA File No.  
72877



VDE File No.  
17074-2611-0701

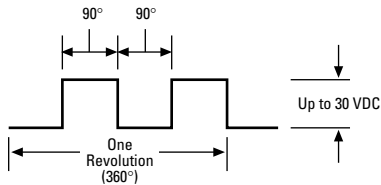


## NOTES:

All operating specifications measured at nominal operating voltage, free air at sea level

24 volt performance is identical to 12 volt fan performance

## Tachometer Output (Open Collector Circuit)



## Locked Rotor Output (Open Collector Circuit)

