

AC Series Tubeaxial Cooling Fans Model No. A47T10

4.69" Sq. x 1.00"
(119 mm Sq. x 25 mm)
49-71 CFM
(23.1-33.5 L/Sec.)



Features

- Reliable shaded-pole motor construction
- Precision ball bearing system provides:
 - Longer life
 - Higher temperature extremes
 - Lower noise over time
 - Maximum shock and vibration resistance
- Rugged die-cast aluminum housing for maximum heat dissipation

Accessories:

- Finger guards
- Power cords
- Filters

General Specifications

Frame: Die-cast aluminum painted black for moisture and corrosion resistance

Impeller: Reinforced polybutylene plastic (UL94V-0 rating)

Bearings: Precision, life-lubricated ball bearings

Insulation: Class A integral ground system rated @ 248°F (120°C)

Weight: 13 ozs. (360 grams)

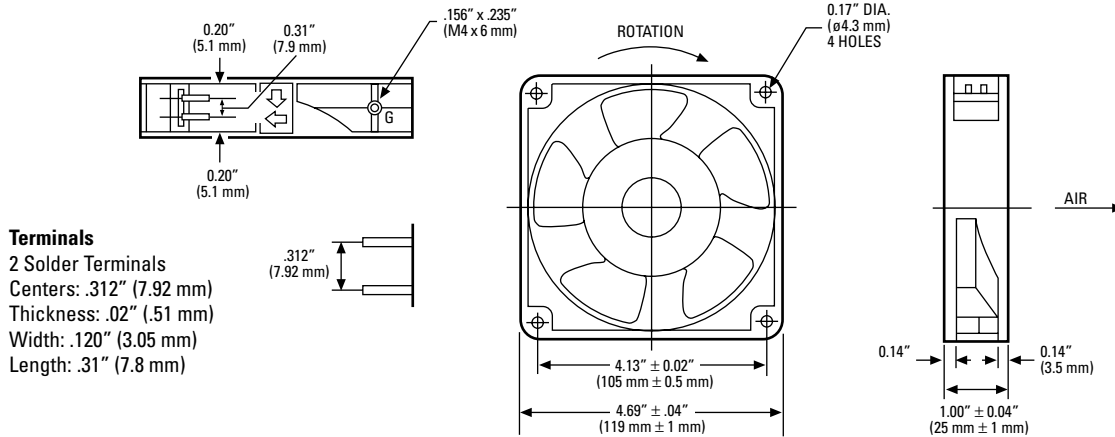
Operating Temperature Range: 14° to 158°F (-10° to 70°C)

Insulation Resistance: 100 megohms minimum @ 500 VDC

Dielectric Strength: 1500 VAC for 3 seconds

Safety Protection: Impedance protected

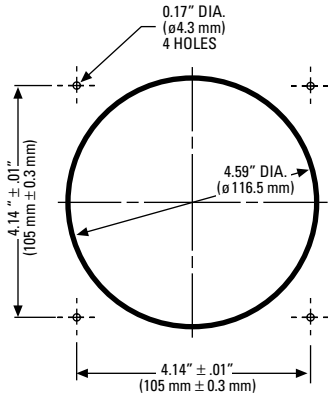
Life Expectancy: 50,000 hours minimum @ 77°F (25°C)



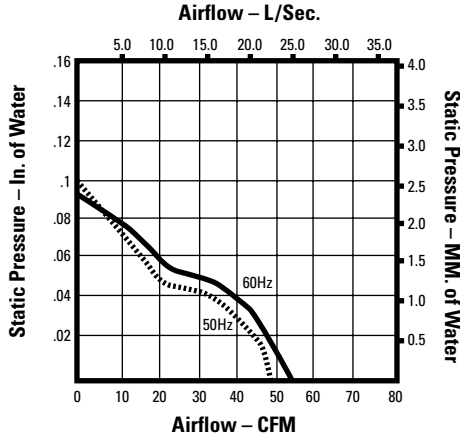
Globe Motors Part Number	Nominal Voltage VAC	Frequency Hz	Watts	Line Amps	RPM	Acoustic Noise dBA	Airflow (Min.)	
							CFM	Liters per Second
A47-B10A-15T2-000	115	50 / 60	8.0 / 7.0	0.100 / 0.090	1900 / 2000	29 / 30	49 / 53	23.1 / 25.0
A47-B10A-15T3-000	115	50 / 60	14.0 / 11.0	0.190 / 0.160	2300 / 2700	34 / 38	64 / 71	30.2 / 33.5
A47-B10A-23T2-000	230	50 / 60	9.0 / 8.0	0.060 / 0.050	1900 / 2100	29 / 30	49 / 53	23.1 / 25.0
A47-B10A-23T3-000*	230	50 / 60	14.0 / 11.0	0.100 / 0.090	2300 / 2700	34 / 38	64 / 71	30.2 / 33.5

*Not CE Approved

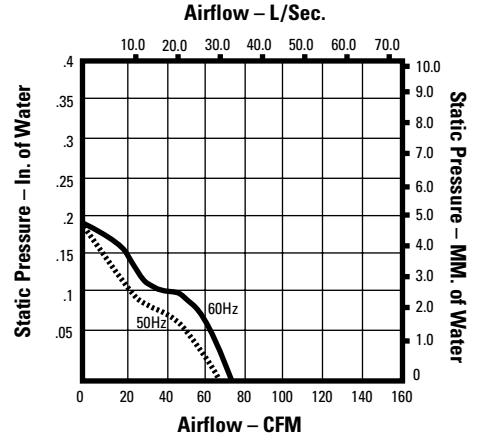
Installation Guide



Performance at Sea Level



A47-B10A-15T2-000



A47-B10A-15T3-000

Approvals



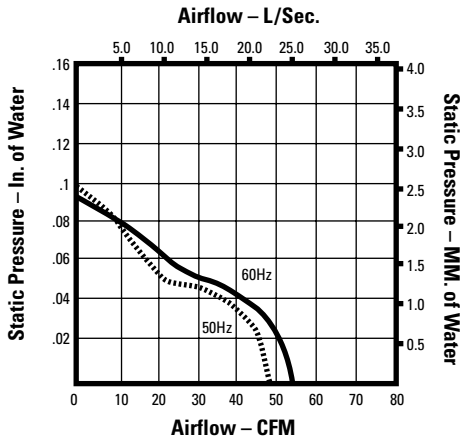
**UL File No.
E105397**



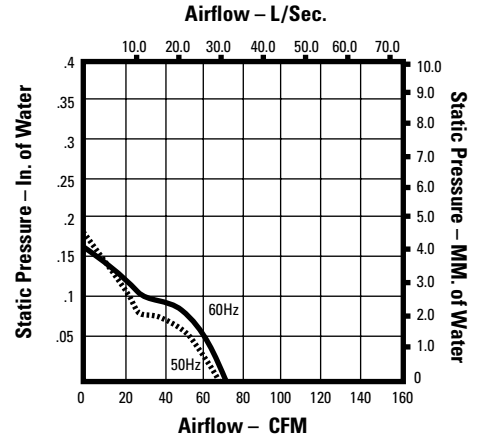
**CSA File No.
72877**



**VDE File No.
17074-2611-0702**



A47-B10A-23T2-000



A47-B10A-23T3-000

All operating specifications measured at nominal operating voltage, free air at sea level

NOTES: